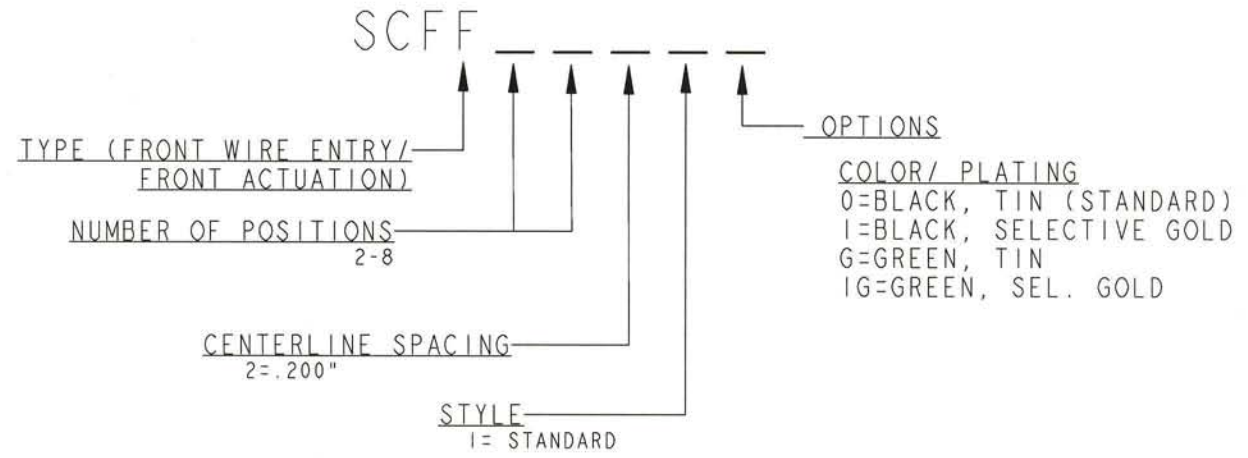


REV	ECN	APP'D
-	4503	10 10/31/01
A	5742	PN 12/28/05

SCFF SERIES PART NUMBERING SCHEME



COLOR/ PLATING
 0=BLACK, TIN (STANDARD)
 1=BLACK, SELECTIVE GOLD
 G=GREEN, TIN
 1G=GREEN, SEL. GOLD

CONSULT PCD FOR PART NO. AND AVAILABILITY OF FOLLOWING OPTIONS:
 *CUSTOM COLORS *CUSTOM KEYING
 *CUSTOM MARKING *SELECTIVE CONTACT LOADING
 *NUMBER OF POSITIONS 9-24

INSTALLATION RECOMMENDATIONS:
 WIRE RANGE: AWG #12-28, STRANDED OR SOLID,
 WIRE STRIP LENGTH: .250" (6,35mm)

MATERIALS:
 HOUSING: PPO, UL 94 V-0
 CONTACT: PHOSPHOR BRONZE, TIN FINISH
 SPRING CLAMP: STAINLESS STEEL

MAX OPERATING TEMP: 105°C

R
RATINGS

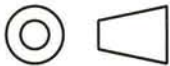
CURRENT - 15 A
 VOLTAGE - 300V
 U.L. FILE NO. PENDING

SP
RATINGS

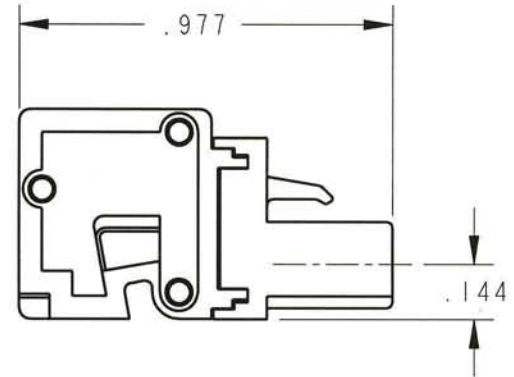
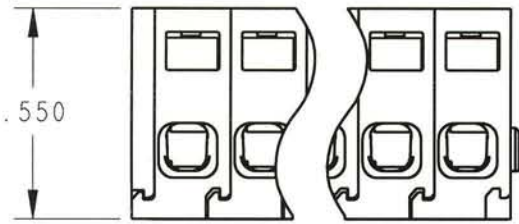
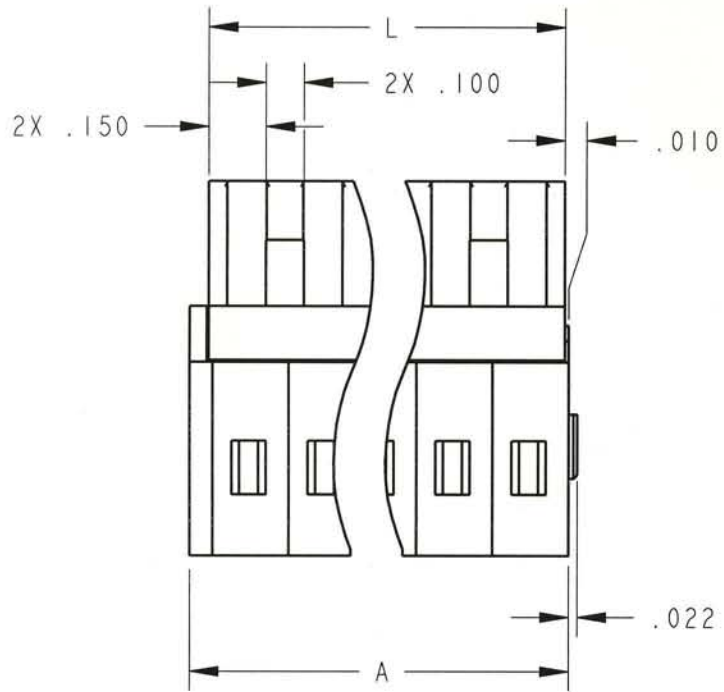
CURRENT - 15 A
 VOLTAGE - 300 V
 CSA FILE NO. PENDING

DIN VDE 0627:1986
 DIN VDE 0110-1:1989
 EN 60947-1:1991
 EN 60947-7-1:1992

CURRENT -15 A
 VOLTAGE - 300 V
 TUV FILE NO. PENDING

DIMENSIONS ANSI Y14.5M UNITS: INCHES Pro/E FILE	TOLERANCES .XX ±0.01 .XXX ±0.005 ANGLES ±2.0°	PROJECTION 	<h1 style="margin: 0;">Amphenol Pcd</h1>	TITLE <h1 style="margin: 0;">SCF SERIES PLUGGABLE TERMINAL BLOCK</h1>			
			ENGR C. LUSHUA 7/17/01	SIZE DWG NO. A SCFF02210		REV A	
ORIGINAL STAMPED IN RED			THIS DOCUMENT CONTAINS PROPRIETARY INFORMATION WHICH IS THE CONFIDENTIAL PROPERTY OF AMPHENOL PCD, INC. PEABODY, MA, USA			CHKD A. PATRIE 10/30/01	
			APPD I. QUINN 10/31/01	CODE: 58982	SCALE: NONE	SHEET 1 OF 2	

L=NUM OF POS X CL SPACING
 A=NUM OF POS X CL SPACING+.060



SIZE	DWG NO.	REV
A	SCFF02210	A
CODE: 58982	SCALE: NONE	SHEET 2 OF 2